

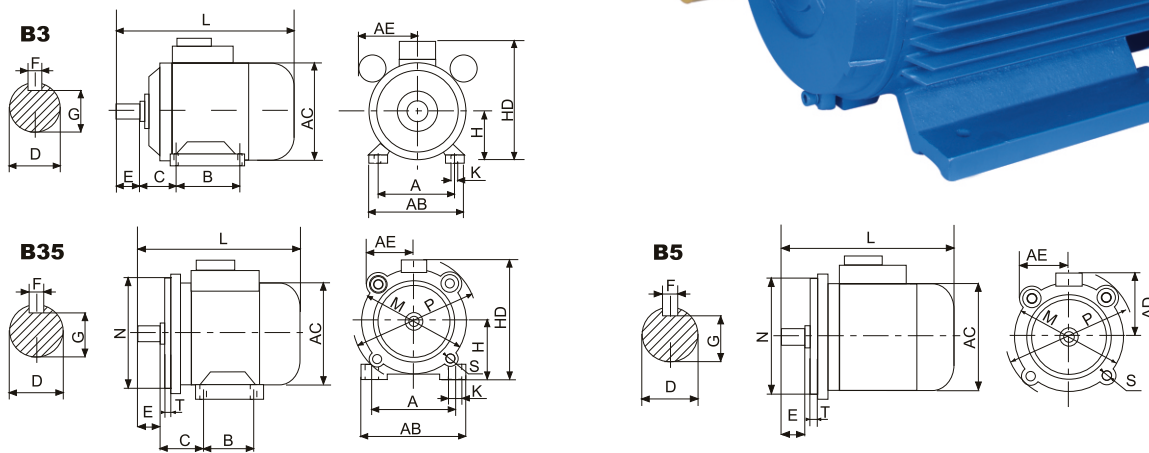
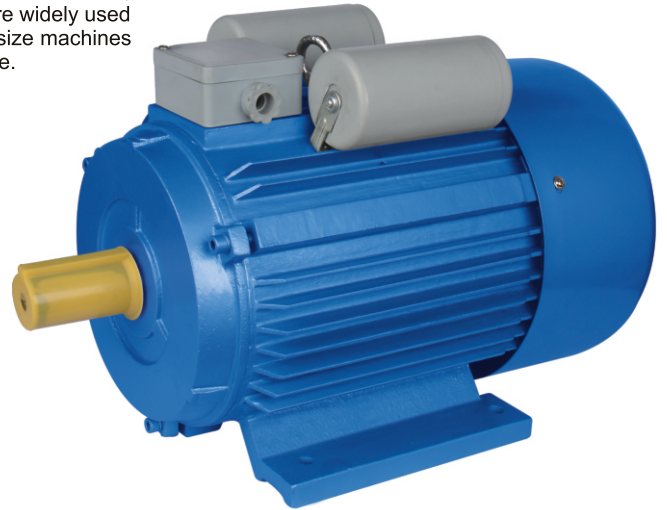
YL SERIES

SINGLE-PHASE DUAL-VALUE CAPACITOR MOTOR

YL series single phase dual-capacitor asynchronous motor is designed and manufactured in according with national standard, newly developed by our company with low noise, compact construction, light weight, easy maintenance etc. These motors are widely used on air compressors, pumps, fans, refrigerator, medical instruments, small-size machines etc, especially for occasion where only single-phase power supply is available.

Operating Conditions

Ambient temperature: $-15^{\circ}\text{C} < \theta < 40^{\circ}\text{C}$
Above sea level: not exceed 1000meters
Rated voltage: 220V
Rated frequency: 50Hz/60Hz
Duty/Rating: Continuous(running)
Insulation class: Class B/F
Protection class: IP44/IP54
Cooling method: IC0141



Installation Dimension

Frame Size	Installation Size															Overall Dimension				
	A	B	C	D	E	F	G	H	K	M	N	P	R	S	T	AB	AC	AD	HD	L
71	112	90	45	14	30	5	11	71	7	130	110	160	0	10	3.5	145	145	140	180	255
80	125	100	50	19	40	6	15.5	80	10	165	130	200	0	12	3.5	160	165	150	200	295
90S	140	100	56	24	50	8	20	90	10	165	130	200	0	12	3.5	180	185	160	240	370
90L	140	125	56	24	50	8	20	90	10	165	130	200	0	12	3.5	180	185	160	240	400
100L	160	140	63	28	60	8	24	100	12	215	180	250	0	15	4.0	205	220	180	260	430
112M	190	140	70	28	60	8	24	112	12	215	180	250	0	15	4.0	245	250	190	300	455
132S	216	140	89	38	80	10	33	132	12	265	230	300	0	15	4.0	280	262	210	350	525
132M	216	178	89	38	80	10	33	132	12	265	230	300	0	15	4.0	280	262	210	350	553

TECHNICAL DATA

TYPE	Output		Voltage (V)	Current (A)	Speed (r/min)	Eff (%)	Power Factor	Frequency (Hz)	Tstart/Tn	Tstart/Tn	Tmax/Tn
	HP	KW									
220V 50Hz Synchronous Speed 3000 r/min (2 Poles)											
YL711-2	0.5	0.37	220	2.73	2800	67	0.92	50	1.8	6.0	1.8
YL712-2	0.75	0.55	220	3.88	2800	70	0.92	50	1.8	6.0	1.8
YL801-2	1	0.75	220	5.15	2810	72	0.92	50	1.8	6.0	1.8
YL802-2	1.5	1.1	220	7.02	2810	75	0.95	50	1.8	6.0	1.8
YL90S-2	2	1.5	220	9.44	2820	76	0.95	50	1.8	6.0	1.8
YL90L-2	3	2.2	220	13.7	2820	77	0.95	50	1.8	6.0	1.8
YL100L-2	4	3.0	220	18.4	2850	78	0.95	50	1.8	6.0	1.8
YL112L-2	5	3.7	220	20	2850	80	0.95	50	1.8	6.0	1.8
220V 50Hz Synchronous Speed 1500 r/min (4 Poles)											
YL711-4	0.33	0.25	220	1.99	1400	62	0.92	50	1.8	6.0	1.8
YL 712-4	0.5	0.37	220	2.81	1400	65	0.92	50	1.8	6.0	1.8
YL801-4	0.75	0.55	220	4.0	1410	68	0.92	50	1.8	6.0	1.6
YL802-4	1	0.75	220	5.22	1410	71	0.92	50	1.8	6.0	1.6
YL90S-4	1.5	1.1	220	7.21	1430	73	0.95	50	1.8	6.0	1.6
YL90L-4	2	1.5	220	9.57	1430	75	0.95	50	1.8	6.0	1.6
YL100L1-4	3	2.2	220	13.9	1440	76	0.95	50	1.8	6.0	1.8
YL112M1-4	4	3	220	18.6	1450	77	0.95	50	1.8	6.0	1.8
YL112M2-4	5	3.7	220	23	1450	78	0.95	50	1.8	6.0	1.8
YL132S2-4	5	3.7	220	23	1460	78	0.95	50	1.8	6.0	1.8
YL132M-4	7.5	5.5	220	32.49	1460	81	0.95	50	1.8	6.0	1.8